

PRODUCT INFORMATION PACKET

Model No: 056C17D2073
Catalog No: B318
3/4,1725,DP,56,1/60/115/208-230
Open Drip Proof (ODP)



Regal and Marathon are trademarks of Regal Beloit Corporation or one of its affiliated companies.
©2018 Regal Beloit Corporation, All Rights Reserved. MC017097E





Nameplate Specifications

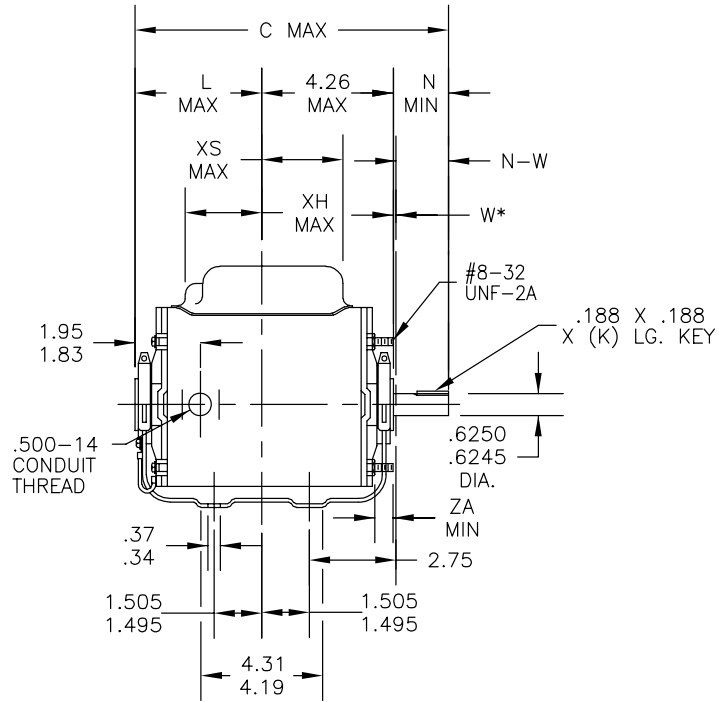
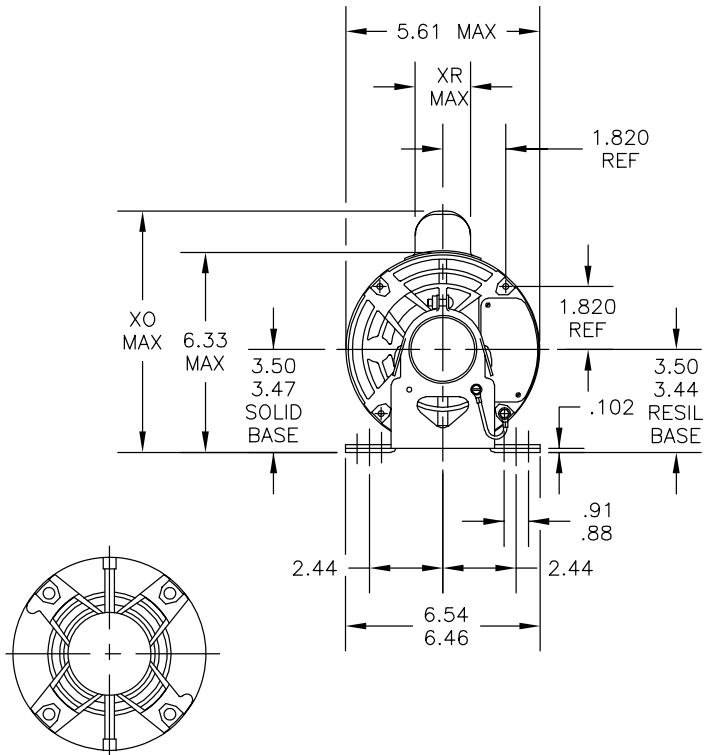
Output HP	0.75 Hp	Output KW	0.56 kW
Frequency	60 Hz	Voltage	115/208-230 V
Current	10.0/5.2-5.0 A	Speed	1725 rpm
Service Factor	1.25	Phase	1
Efficiency	70.1 %	Duty	Continuous
Insulation Class	B	Design Code	NO DESIGN CODE
KVA Code	J	Frame	56
Enclosure	Drip Proof	Overload Protector	No
Ambient Temperature	40 °C	Drive End Bearing Size	6203
Opp Drive End Bearing Size	6203	UL	Recognized
CSA	Y	CE	N
IP Code	22		

Technical Specifications

Electrical Type	Capacitor Start Induction Run	Starting Method	Across The Line
Poles	4	Rotation	Selective Counterclockwise
Mounting	Resilient Base - Extended Studs	Motor Orientation	Horizontal
Drive End Bearing	Ball	Opp Drive End Bearing	Ball
Frame Material	Rolled Steel	Shaft Type	T
Overall Length	10.72 in	Shaft Diameter	0.625 in
Shaft Extension	1.88 in	Assembly/Box Mounting	F1 Only
Outline Drawing	52A111270P2	Connection Diagram	52A105381AA

This is an uncontrolled document once printed or downloaded and is subject to change without notice. Date Created: 06/29/2018

52A111270

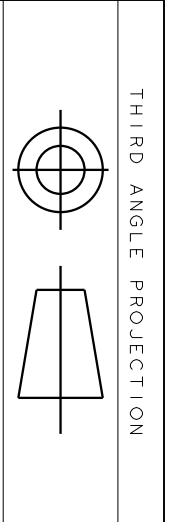


*W IS A CLEARANCE DUE TO VARIATION IN PARTS & ASSEMBLY.

VIEW SHOWING PE VENTILATION OPENINGS

2	KC	37	56	10.72	1.38	4.63	1.88	2.01/1.79	3.07	7.85	1.60	2.70	.69	6.62
1	KC	36	56	10.32	1.38	4.23	1.88	2.01/1.79	3.10	8.20	2.10	2.64	.72	6.22
PT	TYPE	RBC SIZE	NEMA FR	C	K	L	N	N-W	XH	XO	XR	XS	ZA	MIN. SHELL

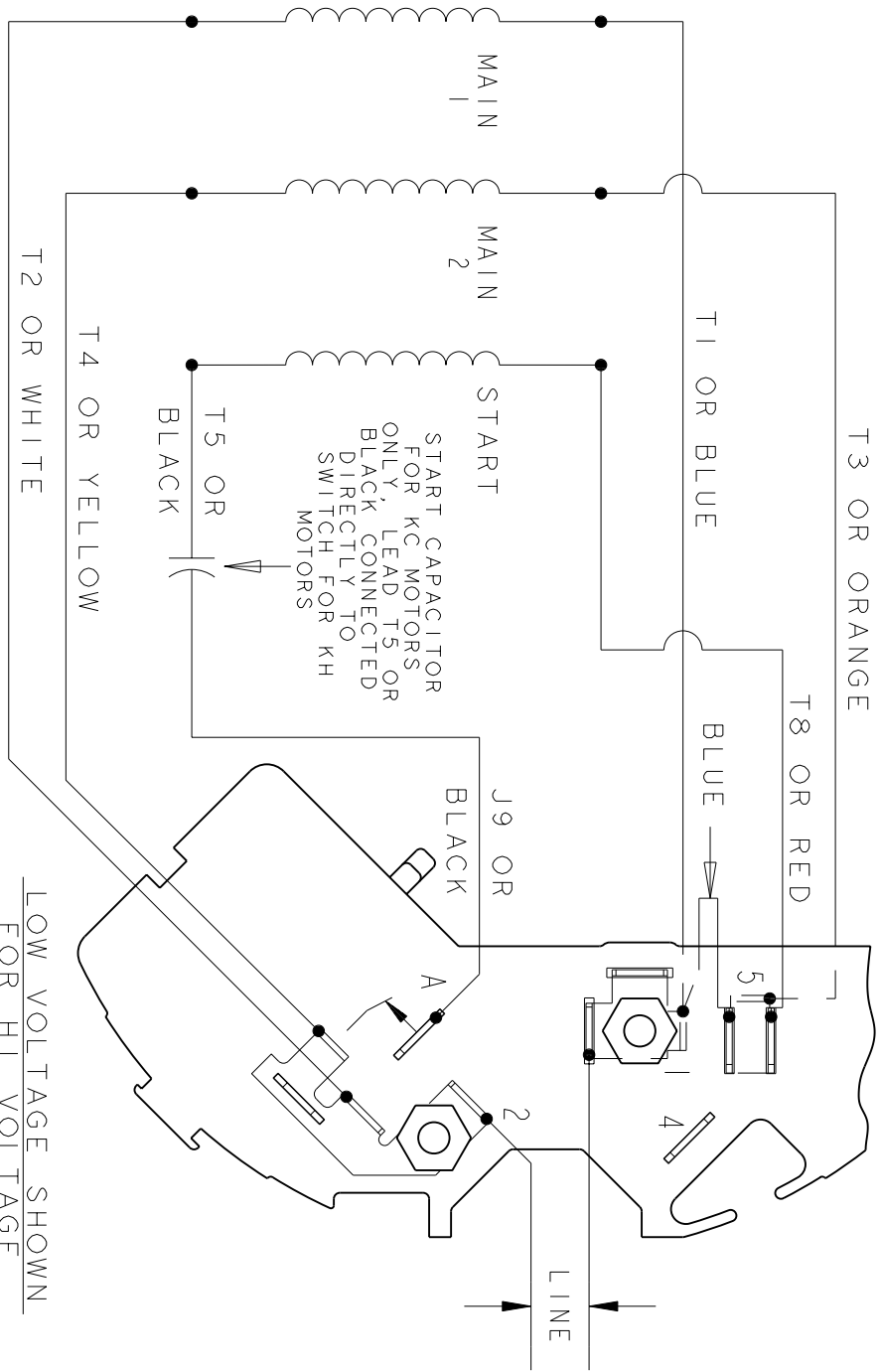
F	ECS DIMENSIONS ADDED PER ECO-0059212	PVN	9/5/14	DS	TOLERANCES UNLESS SPECIFIED									DRAWN DR 12/16/04	
5	REDRAWN IN DRAFT SIGHT - NO CHANGES	UD	11/06/12	PKG	DEC.	INCHES								CHK	
4	CHANGED 'ZA' DIMENSION PER IS12-5156	UD	11/06/12	DS	.X	±0.1	APPD DR 12/16/04								
3	CHG TO RBC FORMAT PER IS05-1777	PKG	04/28/06		.XX	±0.02	SCALE 1=1								
2	CHG CLAMP BOLT TO #8-32 PER IS05-0952	RK	04/15/05		.XXX	±0.005	REF								
1	ADDED P2	DS	12/21/04		.XXXX	±0.0005	FMF								
NO.	REVISION	BY & DATE	CHK	ANG	±1.0	FINISH	PREV								
THIS DRAWING IN DESIGN AND DETAIL IS OUR PROPERTY AND MUST NOT BE USED EXCEPT IN CONNECTION WITH OUR WORK ALL RIGHTS OF DESIGN AND INVENTION ARE RESERVED THIS IS AN ELECTRONICALLY GENERATED DOCUMENT - DO NOT SCALE THIS PRINT				RFP	CAD FILE 52A111270			SIZE	DRAWING NO.		REV.				
				DIST				A	52A111270		F				



THIRD ANGLE PROJECTION

REVISIONS		DESCRIPTION	DATE	APPROVED
REV.	2	UPDATED FORMAT	01/04/06	MAM

EITHER ROTATION - DUAL VOLTAGE
TYPE KC OR KH
T3 OR ORANGE



- NOTE #1 - FOR HI VOLTAGE REMOVE BLUE FROM TERMINAL #5 AND PLACE ON TERMINAL #4, REMOVE WHITE (T2) FROM TERMINAL #2 AND PLACE ON TERMINAL #5.
- NOTE #2 - TO REVERSE ROTATION INTERCHANGE RED (T8) AND BLACK (J9-KC OR T5-KH) LEADS.
- NOTE #3 - WHEN MORE THAN ONE CAPACITOR IS USED CONNECT IN PARALLEL.

REF. DIAG. - 121A852

SWITCH (C) - 115D958AB
CONNECTION LABEL - 52X332050

LOW VOLTAGE SHOWN
FOR HI VOLTAGE
SEE NOTE #1

SIGNATURES		DATE
MODEL	M.D. PAPE	06/29/87
DETAIL	.	.
CHECKED	.	.
ENGRG	.	.
MFG	.	.
FOR ADDITIONAL INFO REFER TO:	QUALITY	.
APPLIED PRACTICES	ISSUED	M.D.P. 06/29/87
DIMENSIONS ARE IN INCHES	SOLID MODEL: 52A105381AA	



REGAL-BELOVT CORPORATION

TITLE
CONNECTION DIAGRAM

FMF: 30 FRAME SWITCH REDESIGN

SIZE	DRAWING	SCALE: 1.000	REF. No.:	SHEET 1 of 1
A				
REV				2

CERTIFICATION DATA SHEET

Model#: 56C17D2073 N WINDING#: 52X332050P1 NONE 0
 CONN. DIAGRAM: 52A105381AA ASSEMBLY: F1 ONLY
 OUTLINE: 52A111270P2

TYPICAL MOTOR PERFORMANCE DATA

HP	KW	SYNC. RPM	F.L. RPM	FRAME	ENCLOSURE	KVA CODE	DESIGN
3/4	.56	1800	1725	56	DP	J	NO DESIGN CODE

PH	Hz	VOLTS	FL AMPS	START TYPE	DUTY	INSL	S.F	AMB°C	ELEVATION
1	60	115/208-230	10.0/5.2-5.0	ACROSS THE LINE	CONTINUOUS	B3	1.25	40	3300

FULL LOAD EFF: 70.1	3/4 LOAD EFF: 68	1/2 LOAD EFF: 64	GTD. EFF	ELEC. TYPE	NO LOAD AMPS
FULL LOAD PF: 69.6	3/4 LOAD PF: 61	1/2 LOAD PF: 49	70	CAP START IND RUN	6.4 / 3.2

F.L. TORQUE	LOCKED ROTOR AMPS	L.R. TORQUE	B.D. TORQUE	F.L. RISE°C
36.5 LB-FT	44.2 / 22.1	49.4 LB-FT 135	79 LB-FT 216	-

SOUND PRESSURE @ 3 FT.	SOUND POWER	ROTOR WK^2	MAX. WK^2	SAFE STALL TIME	STARTS /HOUR	APPROX. MOTOR WGT
- dBA	- dBA	0 LB-FT^2	- LB-FT^2	10 SEC.	-	22 LBS.

*** SUPPLEMENTAL INFORMATION ***

DE BRACKET TYPE	ODE BRACKET TYPE	MOUNT TYPE	ORIENTATION	SEVERE DUTY	HAZARDOUS LOCATION	DRIP COVER	SCREENS	PAINT
STANDARD	STANDARD	RESILIENT BASE-EXTENDED STUDS	HORIZONTAL	FALSE	NONE	FALSE	NONE	GRAY (POWDER)

BEARINGS		GREASE	SHAFT TYPE	SPECIAL DE	SPECIAL ODE	SHAFT MATERIAL	FRAME MATERIAL
DE	OPE						
BALL	BALL	PG-44A	T	NONE	NONE	1144 STRESSPROOF (C-223)	ROLLED STEEL
6203	6203						

THERMO-PROTECTORS				THERMISTORS	CONTROL	SPACE /n HEATERS
THERMOSTATS	PROTECTORS	WDG RTDs	BRG RTDs			
NONE	NOT	NONE	NONE	NONE	FALSE	NONE VOLTS

If Inverter equals NONE, contact factory for further information

*
N
O
T
E
S
*

INVERTER TORQUE: NONE
INV. HP SPEED RANGE: NONE
ENCODER: NONE
NONE NONE
NONE NONE PPR
BRAKE: NONE NONE
NONE P/N NONE
NONE NONE
NONE FT-LB NONE V NONE Hz

** Subject to change without notice.